

SPECIFICATION FOR APPROVAL

CUSTOMER:

DESCRIPTION:

Cat.5e UTP Cable

PART NO.:

UPC-5004E-SO

DATE:

2007-7-30

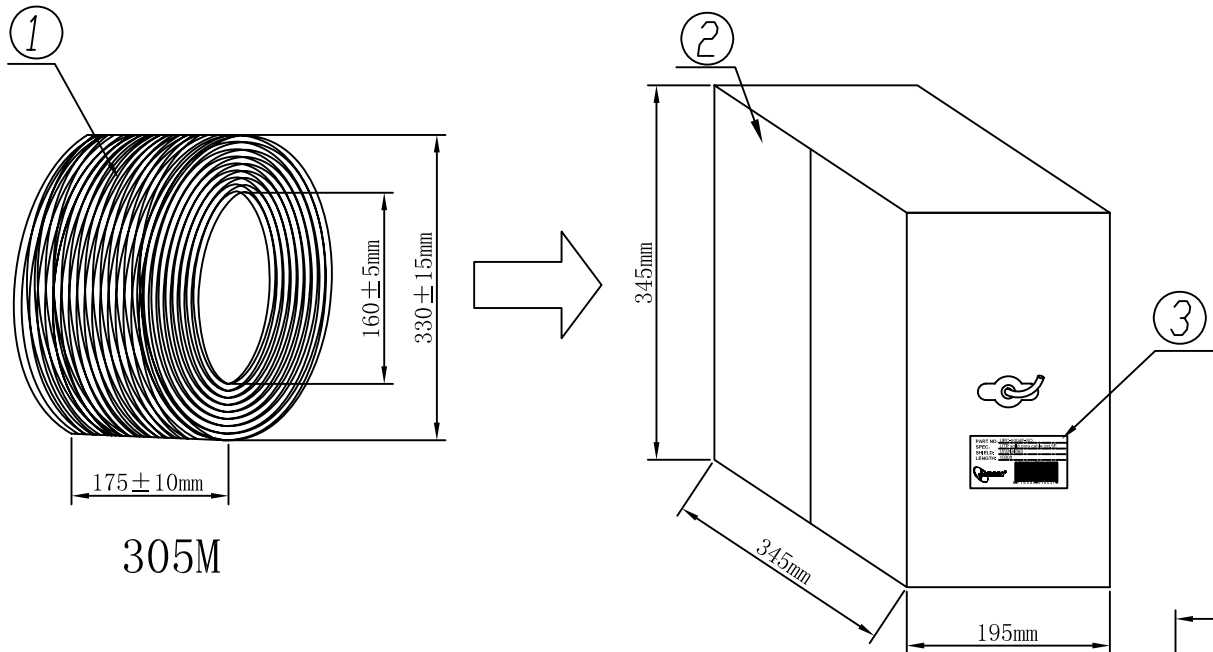
APPROVED NO.:

SPECIFICATION ACCEPTED	
Customer Approved	

Product Information Catalogue

1. list	-----	1
2. Drawing for product	-----	2
3. Drawing for cables	-----	3
4. FLUKE TEST Report	-----	4

FILE AMEND NOTE	DATE	REV.
ORIGINALITY EDITION	2007/07/28	A/0



305M

- NOTES:
- INSIDE PACK: 305M/GMB PULL BOX/LABLE
Over PACK: blue world with white background/LABLE
 - PRINT WORD:
UTP unshielded twisted 4 pairs enhanced category 5 cable (solid) Gembird UPC-5004E-SO 001M、002M、 、 、 、 、 305M (Reset automatically)
 - The line material request backs to twist,RoSH compliant,Request to pass a FLUKE network a test also
 - RoHS AND Garbage can marking(GREEN), The request prints to pull a box up easily

100

PART NO: UPC-5004E-SO

SPEC: UTP solid gray cable,cat.5E

SHIELD: Unshielded

LENGTH: 1000ft

65

8 7 1 6 3 0 9 0 1 6 5 3 7

DRAW 1

MATERIAL LIST:

GEMBIRD EUROPE									
DRAW NO.		PRODUCT NAME		Cat.5e UTP Cable					
CUSTOMER		ITEM NO.		MAPE		tolerance			
③	LABLE	PULL BOX LABLE	1					X.	±1.00
②	PULL BOX	GMB PULL BOX (345mm*345mm*195mm)	1					X.X	±0.50
①	CABLE	Cat.5e 1/0.48BC*4P UTP JACKET:PVC/GRAY(GR09) OD:5.2mm	1		APPOBY	CHECKBY	DRAWNBY	UNTT	MM
NO.	PARTS NAME	SPECIFICATION DESCRIPTION	QT' Y	REMARK			Qian rong	Page	1/1



UPC-5004E-SO

Twisted 4 x AWG24 solid pairs enhanced category 5E UTPcable

<http://www.gembird.com>



Specification:

- Structure: bare solid AWG24 (1/0.48mm diameter) copper cord, PE insulation, PVC/LSOH PVC jacket
- Standards met to: ISO / IEC11801, ANSI / TIA / EIA-568A
- Application: horizontal network cabling for, TP-PMD audio, ISDN, ATM155Mbps, 100Mbps TPDDI, Fast Ethernet.

Frequency, MHz	Impedance, Capacitance	Return loss, dB	Attenuation, dB/100m	NEXT, dB	ELFEXT, dB
0.772	100 ±15Ohm,	/	2.2	67.0	66.0
1.0		20.0	2.4	65.3	63.8
4.0		23.0	4.9	56.3	51.7
8.0		24.5	6.9	51.8	45.7
10.0		25.0	7.8	50.3	43.8
16.0		25.0	9.9	47.3	39.7
20.0		25.0	11.1	45.8	37.7
25.0		24.2	12.5	44.3	35.8
31.25		23.3	14.1	42.9	33.9
62.5		20.7	20.4	36.4	27.8
100		19.0	26.4	35.3	23.8

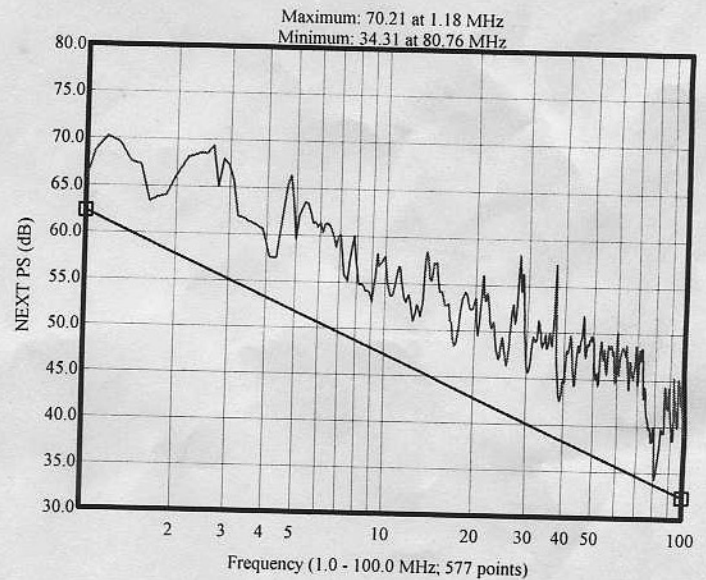
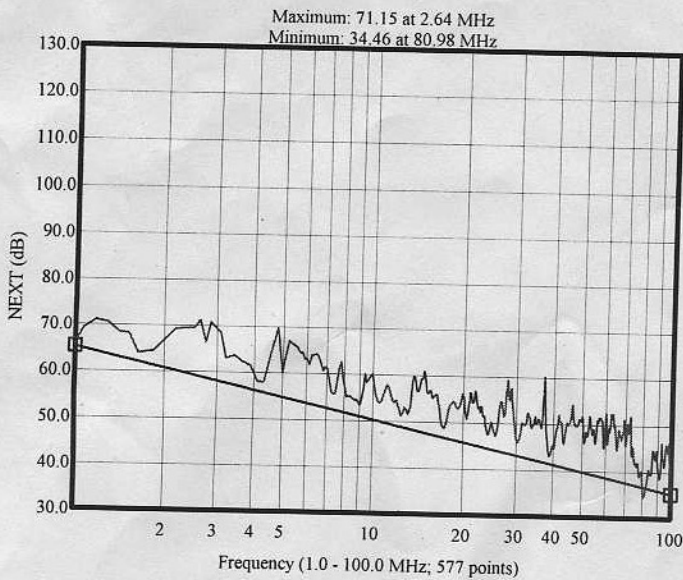
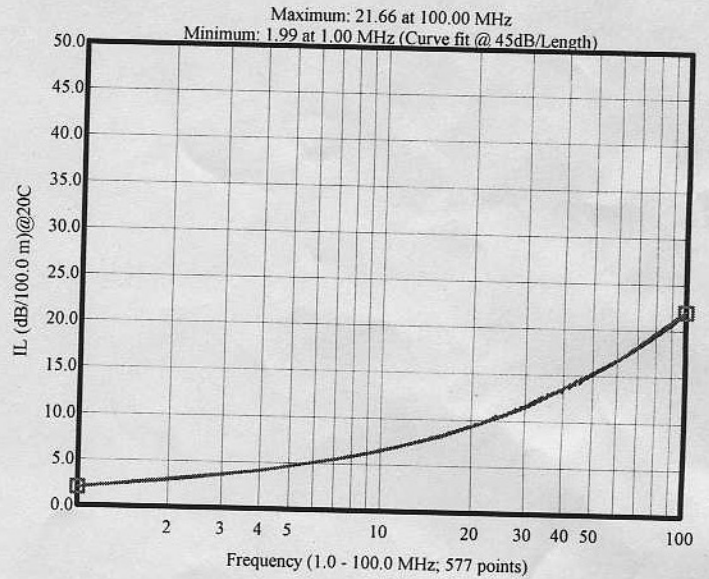
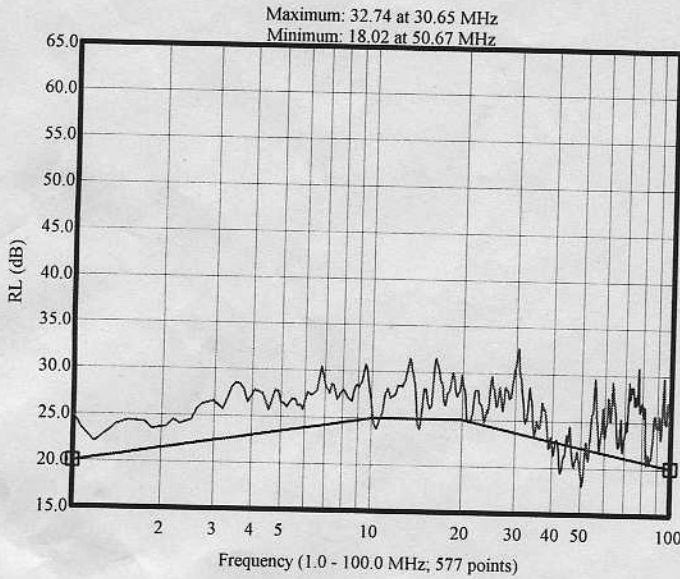
3

DCM ES-2000 Test Report

Cable Type	: CAT 5e x 24 x PE/PVC	Factory Number	: GMB(Y0201-009A)	Data File Name	: DA003808.ESD
Cable I.D.	: CAT5E UTP 0.48BC	Order Number	: 样品	Specification File	: 超五类 单股 T1019-2001.SCB
Temperature	: 20.00 deg C	Operator	: OQC	Test Date	: 07/05/2007
Length	: 305.00 m	Number of Pairs Tested	: 4	Test Time	: 09:29:59 AM

Worst Case Summary

Test Type	Specification	Measured (Pair)	Margin	@ Frequency (MHz)	Test Result
Wire Map Check	N/A	N/A	N/A	N/A	
Return Loss (RL)	22.13 (Min)	18.02 (Pair 3)	-4.11	50.67	Passed
Insertion Loss (IL) (Curve fit @ 45dB)	10.22 (Max)	10.59 (Pair 1)	-0.37	24.13	Failed
Near End Crosstalk (NEXT)	36.70 (Min)	34.47 (Combo 1_4)	-2.23	80.76	Failed
Power Sum NEXT (PS NEXT)	33.70 (Min)	34.31 (Pair 4)	0.61	80.76	Failed
ACR Power Sum (ACR PS)	xxx (Min)	N/A	N/A	80.76	Passed
Input Impedance (ZIN)	85.00 (Min)	92.65 (Pair 3)	7.65	N/A	N/A
Input Impedance (ZIN)	115.00 (Max)	123.52 (Pair 3)	-8.52	96.28	Passed
Characteristic Impedance (Z0)(4)	85.00 (Min)	103.91 (Pair 1)	18.91	42.80	Failed
Characteristic Impedance (Z0)(4)	115.00 (Max)	113.49 (Pair 3)	1.51	13.34	Passed
Propagation Delay	538.00 (Max)	521.97 (Pair 1)	16.03	1.00	Passed
Delay Skew	45.00 (Max)	27.54 (Pair 2)	17.46	N/A	Passed



* = Measured value out of spec.
N/A = Not Applicable.

xxxx = No spec limit entry.